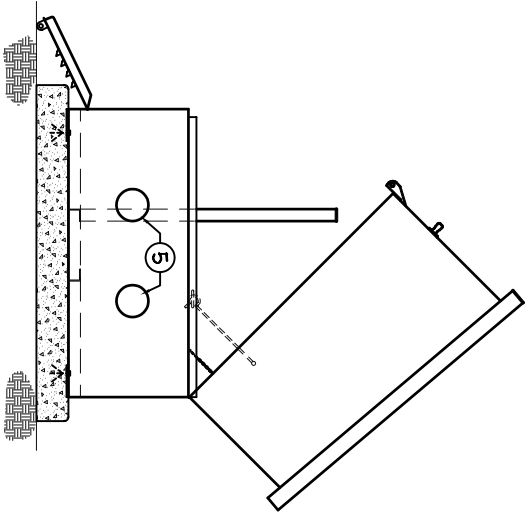
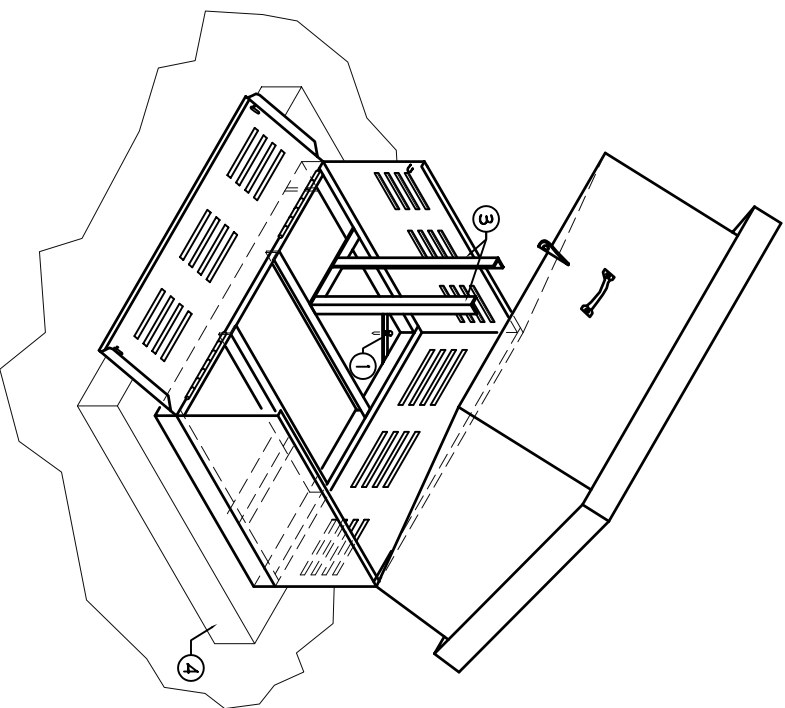


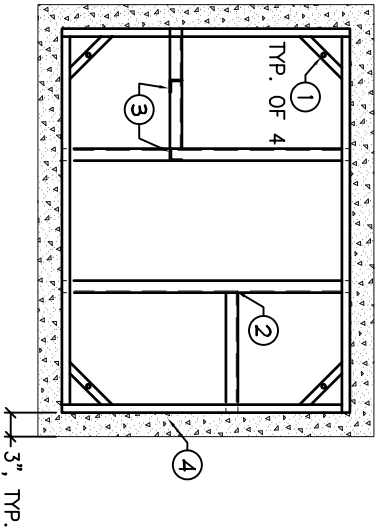
**TOP VIEW**



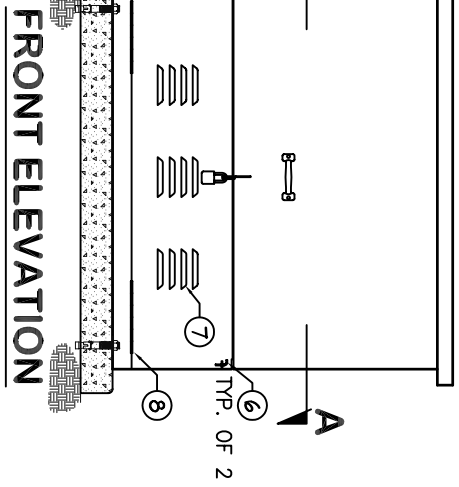
**RIGHT ELEVATION (OPEN)**



**SPECIFICATIONS:**  
 APPROXIMATE WT. = 200 LBS.  
 COLOR: DARK GREEN  
 MATERIAL: MILD STEEL 12 GAUGE  
 MIN. CLEARANCE: 18" IN BACK, 36" ALL AROUND



**SECTION A-A**



**FRONT ELEVATION**

- NUMBERED NOTES:**
- ① 1/2"Ø x 3" ANCHOR BOLT
  - ② WELDED
  - ③ 1 1/2"x1 1/2" ANGLE
  - ④ 42"x54"x4" THICK CONCRETE PAD

- ⑤ INLET & OUTLET OPENINGS
- ⑥ LATCH
- ⑦ AIR VENT
- ⑧ HINGES

DRAWN BY:	CJ
CHK. BY:	PD
SCALE:	NONE
DATE:	7-9-02
DWG. NO.:	.....
CA LICENSE #	798492

**STANDARD 36"x48"  
 ENCLOSURE**

C:\Jobs\Custom Pump 2002\CPP1 Logo.jpg